



iTANK
i310-B31+
User Manual

» i310-B31+ User Manual	1
1. Environmental Requirements.....	1
2. Product Appearance and Packaging Content.....	1
3. Hardware Requirements and Precautions	2
4. Hardware Installation.....	3
5. Description of HDD Indicators	4
6. Connect with other devices.....	4
7. Support USB Power Delivery (USB-PD)	5
» i310-B31+ 產品使用說明.....	6
1. 環境需求.....	6
2. 產品外觀及包裝內容.....	6
3. 硬體需求與注意事項.....	7
4. 硬體安裝.....	8
5. 燈號說明.....	8
6. 與其他裝置連接說明.....	9
7. 支援 USB Power Delivery (USB-PD)	9

About this Manual

Thank you for choosing the STARDOM product. This manual will familiarize you with the STARDOM i310-B31+ product. We recommend reading through this manual before using the STARDOM i310-B31+ product. The information provided in this manual was checked before publication, but the actual product specifications may have changed before shipping; Latest product specifications and updates can be found at www.STARDOM.com.tw. No separate notifications will be provided by our company. If you would like to receive the latest STARDOM product information, manuals, and firmware, or have any questions regarding STARDOM products, please contact your local supplier or visit www.STARDOM.com.tw for more information.

All product-related content in this manual are copyrighted by RAIDON TECHNOLOGY, INC.

1. Environmental Requirements

Operating temperature: 0 ~ 40 °C (32 ~ 104 °F)

Storage temperature : -20 ~ 47°C (-4 ~ 116 °F)

Operating voltage: 100 ~ 240V AC

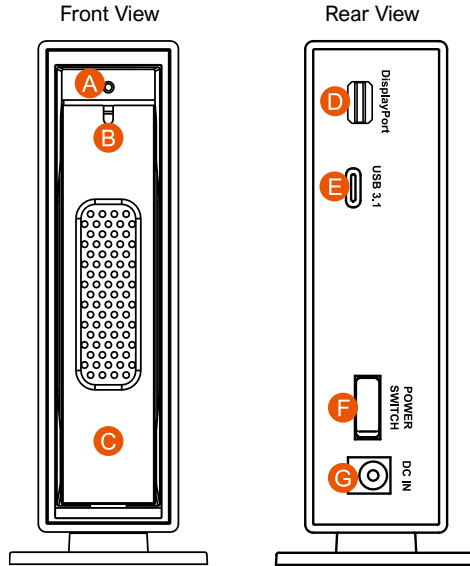
2. Product Appearance and Packaging Content

The following items should be inside the package upon opening:

i310-B31+
i310-B31+ product x1 (containing HDD enclosure x1)
USB 3.1 cable x1
Power cable x1
AC/DC Adapter x1
Quick setup guide x1
Screws and key

- Please check the product and accessories for any defect or missing parts. If you have any questions, please contact your product supplier.
- Please visit the official website - Download page (<http://www.stardom.com.tw/STARDOM2016/download.php>) to download other related resources.

Front and rear view



A. HDD access light
 B. HDD tray ejection hole
 C. HDD tray handle

D. Mini Display Port (DP1.1a)
 E. USB 3.1 Gen2 Type-C (10Gbps)
 F. Power switch
 G. Power socket

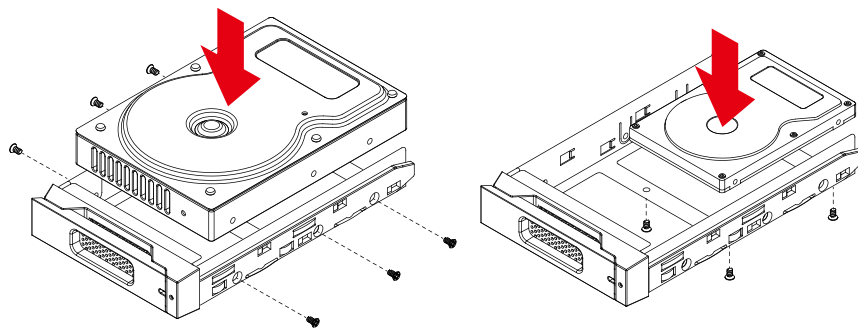
3. Hardware Requirements and Precautions

1. After the hard disk is formatted, the actual total capacity of the i310-B31+ detected by the computer operating system will vary from the sum of all hard disk capacities stated by the manufacturer.
2. To prevent data loss, do not remove i310-B31+ while the system is running.
3. Please always connect the USB cable to the computer to ensure the energy saving function operating normally.
4. If the i310-B31+ needs to be shut down or disconnected, please ensure the HDD is safely removed through your operating system before turning off the power.
5. We strongly recommend backing up important data stored on the i310-B31+ to another storage device or a remote site. STARDOM will not be held liable for the damage or loss of data you stored on the i310-B31+.

4. Hardware Installation

Please follow the instructions below to complete the hardware installation.

1. Open the package and take out the product making sure that all the enclosed contents are not damaged or missing. Should you find damages or missing contents, please contact your supplier immediately.
2. Place the enclosure on a stable surface, ensure that it is well ventilated without blockage to the vent and kept away from locations near water or where the product may become vulnerable resulting in damages.
3. Use the provided key in the accessories kit and inserted into the key access opening to eject the removable drive tray latch and extract the removable drive tray.
4. Mount your hard drives onto the removable drive tray and secure it with the screws included in the accessory kit to avoid any damage to the hard drive due to accidental movements.



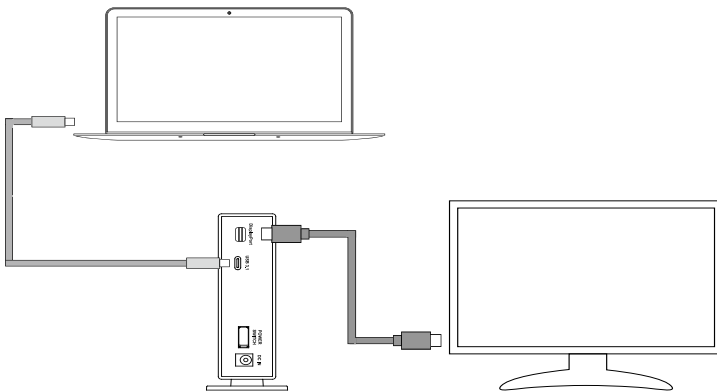
5. Choose one of the provided cables of your preference to connect the preferred interface connection on the enclosure unit to the computer.
6. Attach the AC power cable to the DC power adapter then connect one end to the power socket on the enclosure unit and the other end to the power socket. Once completed, you may power on the unit.
7. Once your computer has also booted, your operating system should recognize the drive automatically. If the hard drive installed requires formatting, follow the formatting instructions given by the operating system to format the drive volume to your preference. Once the formatting has been completed, the device is ready for use.

5. Description of HDD Indicators

Status	HDD Status Light
Data access	Blue light flashing
HDD idle	Blue light always on
Sleep mode	Blue light off

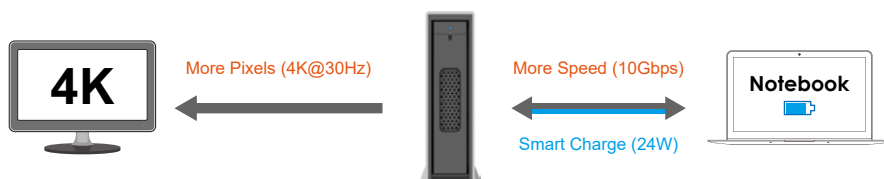
6. Connect with other devices

The i310-B31+ has a Mini DisplayPort that allows user to connect the second monitor.



7. Support USB Power Delivery (USB-PD)

1. USB Power Delivery (USB-PD) introduces fast charging technology and unified cable standards. i310-B31+ supports USB-PD. Use USB Type-C to USB Type-C cable, it can provide up to 24W (5V/3A (15W), 9V/2A (18W), 12V/2A (24W)) power charging to the host.
2. If the connected host is a notebook that supports USB-PD (5V/9V/12V) charging, it will remain charging after the notebook is powered off or restarted while the i310-B31+ is still on.
3. If the i310-B31+ cannot be recognized after the notebook is turned on, please reconnect the Type-C cable or restart the i310-B31+.



★ Notebook will need to support 5V/9V/12V charge.

關於這份手冊

感謝您使用 STARDOM 的產品。本手冊將介紹 STARDOM i310-B31+ 產品。在您開始使用 STARDOM i310-B31+ 產品前，建議您先閱讀過本手冊。手冊裡的資訊在出版前雖已被詳細確認，實際產品規格仍將以出貨時為準；任何產品規格或相關資訊更新請您直接到 www.stardom.com.tw 網站查詢，本公司將不另行通知。若您想獲得 STARDOM 最新產品訊息、使用手冊、韌體，或對 STARDOM 產品有任何疑問，請您聯絡當地供應商或到 www.stardom.com.tw 取得相關訊息。

本手冊相關產品內容歸銳銳科技股份有限公司版權所有

1. 環境需求

工作溫度：0 ~ 40 °C (32 ~ 104 °F)

儲存溫度：-20 ~ 47°C (-4 ~ 116 °F)

工作電壓：100 ~ 240V AC

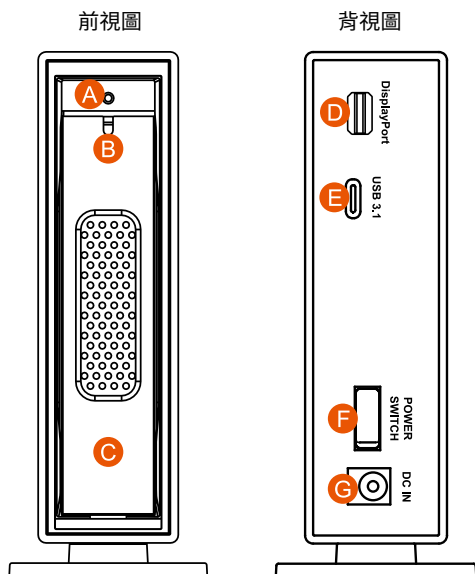
2. 產品外觀及包裝內容

打開包裝外盒後，包裝內容應包含下列組件：

i310-B31+
i310-B31+ 產品本體 x1(內含抽取盒 x1)
USB 3.1 連接線 x1
電源線 x1
電源轉換器 x1
快速安裝導引 x1
螺絲及鑰匙

- 請先確認相關配件與產品本身是否有受損或是缺少配件，若有任何疑問，請與您的經銷商或業務人員聯絡。
- 請前往官網 - 產品資料下載頁面 (<http://www.stardom.com.tw/STARDOM2016/download.php>) 下載其餘相關資源。

正面與背面示意圖



- | | |
|------------|---------------------------------|
| A. 硬碟讀取燈 | D. Mini Display 埠 (DP1.1a) |
| B. 硬碟卡榫按鍵 | E. USB 3.1 Gen2 Type-C (10Gbps) |
| C. 硬碟抽取盒把手 | F. 電源開關 |
| | G. 電源插座 |

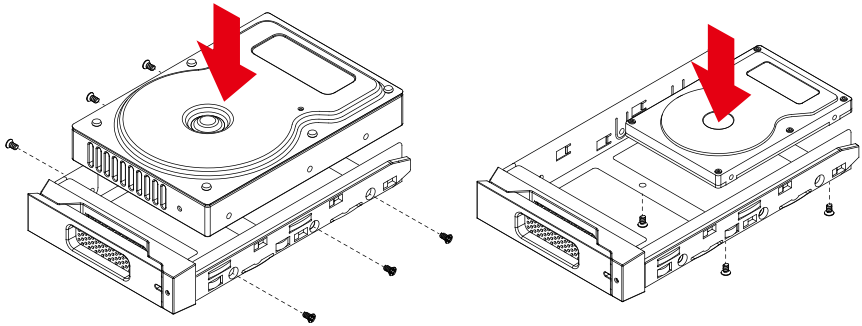
3. 硬體需求與注意事項

1. 硬碟格式化後，由電腦主機作業系統所辨識 i310-B31+ 的實際總容量會與硬碟廠所標示的容量加總後，將有所差異。
2. 當系統運作時，請勿任意移除 i310-B31+，以免導致資料遺失。
3. 為了確保節能功能的正常運作，請將 USB 連接線常態性與電腦端保持連接。
4. 當您需要關閉或移除 i310-B31+ 時，務必透過您所操作的作業系統中執行硬碟安全移除後，方進行電源關閉的動作。
5. 強烈建議除了使用 i310-B31+ 的資料儲存功能外，請針對重要資料備份到另一個儲存裝置上或遠端備份，雙重備份您重要的資料。若您儲存在 i310-B31+ 的資料損毀或遺失，STARDOM 將不負任何的責任。

4. 硬體安裝

請參照下列步驟，完成 i310-B31+ 的硬體安裝：

1. 當你打開包裝後，首先請先檢查產品主體以及附件是不是有毀損或是短缺情形，如果發現產品主體及附件短缺，請立刻與您的供應商聯絡。
2. 將主機置放於平穩空間上，並確認散熱風扇沒有被擋住，且四周有適當的散熱空間。（請避免接近水源或是其他容易造成產品損傷的環境）
3. 請使用零件包中所附的頂針插入鑰匙孔，開啟硬碟抽取盒把手便將抽取盒取出。
4. 將硬碟安裝到抽取盒上，並以零件包內附的螺絲加以固定，以避免不必要的移動對硬碟造成傷害。



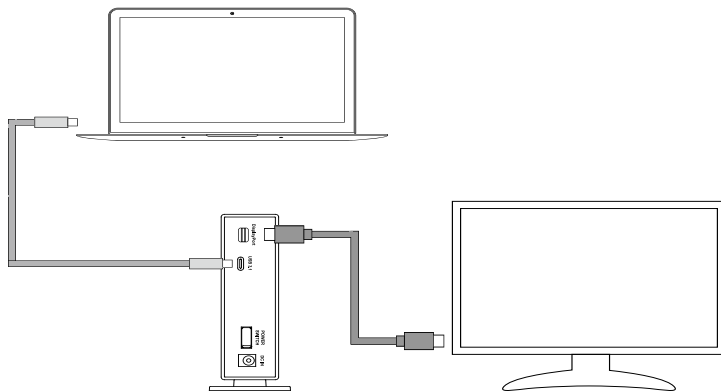
5. 硬碟安裝完成後，請將抽取盒平移放入主機內，並關上把手。
6. 將附件中的連接線接到 i310-B31+ 與電腦主機上的相關連接埠。將 AC Power 電源線與 12V DC 變壓器連接好，並將兩端接頭各自接到 i310-B31+ 及電源插座後開機。
7. 開機後，您的作業系統將會自動辨識到儲存容量；待辨識成功後，請依據您所需的儲存格式，將系統依照作業系統的指示完成格式化。待硬盤格式化完成後，便可直接使用 i310-B31+。

5. 燈號說明

狀態	硬碟狀態燈
資料存取	藍燈閃爍
硬碟閒置	藍燈恆亮
電腦休眠	藍燈熄滅

6. 與其他裝置連接說明

i310-B31+ 具備 Mini DisplayPort，可藉此串接螢幕。



7. 支援 USB Power Delivery (USB-PD)

1. USB Power Delivery (簡稱 USB-PD)，為 USB 開發者論壇 (USB-IF) 推出快速充電技術與統一連接線標準。i310-B31+ 支援 USB-PD，若採用 USB Type-C to USB Type-C 介面，可提供最多 24W (5V/3A (15W), 9V/2A (18W), 12V/2A (24W)) 電力給主機端。
2. 若所連接之主機端為支援 USB-PD(5V/9V/12V) 充電的筆記型電腦，在 i310-B31+ 未關機的狀態下，將筆電關機或重新開機後，USB-PD 仍會維持充電功能。
3. 如電腦開機後無法讀取到 i310-B31+，請重新連接 Type-C 連接線，或是將 i310-B31+ 關機再啟動，方可正常連接使用。



★ 筆記型電腦需要支援 5V/9V/12V 充電。



<http://www.stardom.com.tw/>

